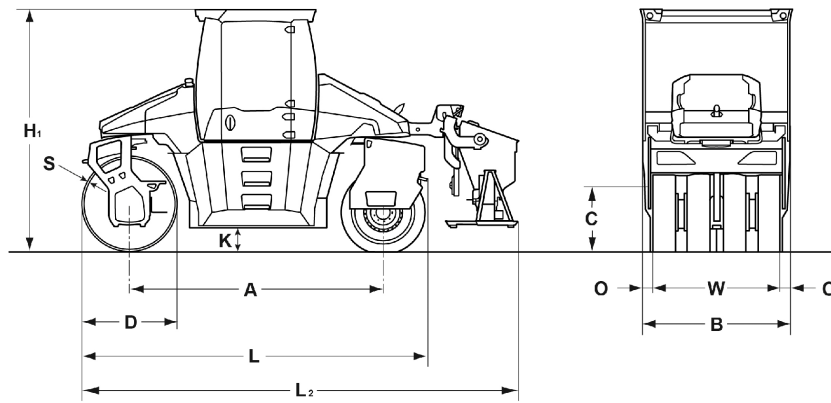


TECHNICAL DATA

ASPHALT MANAGER 2

BW 154 ACP-5 AM, BW 174 ACP-5 AM





Dimensions in mm

	A	B	C	D	H1	K	L	L2	O	S	W
BW 154 ACP-5 AM	2890	1680	790	1100	3020	260	3990	5030	90	16	1500
BW 174 ACP-5 AM	2220	1860	780	1200	3050	280	4420	5520	90	19	1680

Shipping dimensions in m3

BW 154 ACP-5 AM
BW 174 ACP-5 AM

with cabin

20,244
 25,075

Machine type	Compaction output (t/h) at different asphalt layer thicknesses		
	2-4 cm	6-8 cm	10-14 cm
BW 154 ACP-5 AM	35-65	65-140	90-170
BW 174 ACP-5 AM	50-90	100-170	140-200

Technical Data**BOMAG
BW 154 ACP-5 AM****BOMAG
BW 174 ACP-5 AM****Weights**

Operating weight CECE w. ROPS-cabin	kg	7.500	9.300
Static linear load CECE	kg/cm	27,0	29,2
Axle load, drum CECE	kg	4.050	4.900
Axle load, wheels CECE	kg	3.450	4.400
Wheel load CECE	kg	870	1.100
Max. weight	kg	9.400	10.500

Dimensions

Track radius, inner	mm	2.950	2.970
---------------------------	----	-------	-------

Driving Characteristics

Speed	km/h	0- 11,0	0- 11,0
-------------	------	---------	---------

Drive

Engine manufacturer		Kubota	Deutz
Type		V3307 -T	TCD 3.6
Emission stage		Stage V / TIER4f	Stage V / TIER4f
Exhaust gas aftertreatment		DOC+DPF	DPF+SCR
Cooling		Liquid	Liquid
Number of cylinders		4	4
Performance ISO 14396	kW	55,4	74,4
Performance SAE J 1995	hp	74,2	99,6
Speed	min-1	2.400	2.200

Drums and Tyres

Drum width	mm	1.500	1.680
Number of tyres		4	4
Split drum		front	front

Brakes

Service brake		hydrost.	hydrost.
Parking brake		mech.	mech.

Steering

Steering system		2-p. pivoted	2-p. pivoted
Lateral displacement right/left	mm	1.130	1.360

Exciter system

Construction		Directed exciter standard	Directed exciter standard
Autom. vibr. shut off			
Amplitude	mm	0- 0,81	0- 0,83
Frequency	Hz	47	47
Centrifugal force	kN	131	159

Capacities

Fuel	l	180,0	180,0
Water	l	550,0	680,0
Emulsion	l	32,0	32,0

Technical modifications reserved. Machines may be shown with options.

Standard Equipment

- ECOMODE
- ASPHALT MANAGER
- 10" Touchscreen
- Oscillation mode
- Highly wear resistant AM drum
- Water-saving pressure sprinklers
- Pressure sprinkler system Emulsion
- 1 Directed exciter, front
- 2 spring-loaded hinged scrapers
- Autom. vibration operation
- Indicator and hazard lights
- ROPS cabin with seat belts
+ heating
- 2 Outside mirrors
- Steering method/Operator's seat sliding /
rotatable (270°)
- Steering with comfort control
- 5 Steering modes
- Back-up alarm
- Brake release device
- Split drums
- Emergency STOP

Optional Equipment

- Edge cutter
- Rotary beacon
- Special paint
- Environmentally compliant hydraulic oil
- Tool kit
- Precision spreader
- Precision spreader laterally slidable
- Automatic air conditioning
- Thermal aprons
- Radio/Radio preparation
- LED lighting package
 - additional lateral lighting for cabin
 - Follow-me-home function
 - Lighting for drum edge
 - 2x 12V sockets in supports
- Backup warning buzzer with broadband
technology
- Additional outside mirrors
- Air-suspended comfort seat
- BOMAG TELEMATIC POWER
- BOMAG ECOSTOP
- BOMAP compaction navigation with GPS
- JOBLINK measuring technology interface
- BOMAP GPS antenna set
- BOMAP GPS antenna holder

