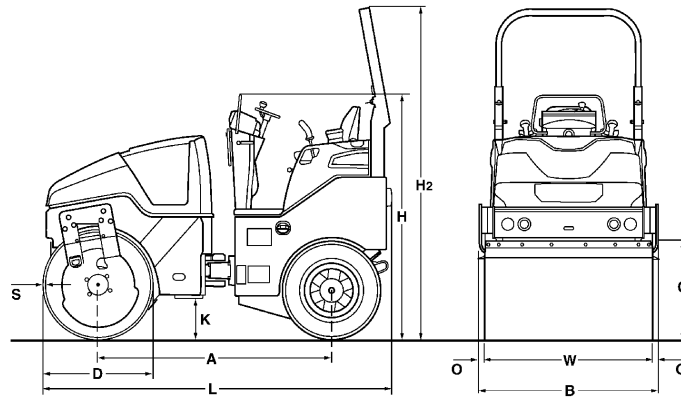


# TECHNICAL DATA

COMBINATION ROLLER

BW 138 AC-5





**Dimensions in mm**

|                    | <b>A</b> | <b>B</b> | <b>C</b> | <b>D</b> | <b>H</b> | <b>H2</b> | <b>K</b> | <b>L</b> | <b>O</b> | <b>S</b> | <b>W</b> |
|--------------------|----------|----------|----------|----------|----------|-----------|----------|----------|----------|----------|----------|
| <b>BW 138 AC-5</b> | 1900     | 1468     | 700      | 900      | 1900     | 2700      | 340      | 2840     | 44       | 18       | 1380     |

**Shipping dimensions in m3**

**BW 138 AC-5**

**without ROPS**

7,921

**with ROPS**

11,257

| <b>Machine type</b> | <b>Compaction output (t/h) at different asphalt layer thicknesses</b> |               |                 |
|---------------------|---|---------------|-----------------|
|                     | <b>2-4 cm</b>   | <b>6-8 cm</b> | <b>10-14 cm</b> |
| BW 138 AC-5         | 30-55   | 50-90         | 65-115          |

## Technical Data

## BOMAG BW 138 AC-5

### Weights

|                                      |       |             |
|--------------------------------------|-------|-------------|
| Operating weight w. ROPS CECE .....  | kg    | 4.200       |
| Axle load, drum / wheels CECE .....  | kg    | 2.200/2.000 |
| Wheel load CECE .....                | kg    | 500         |
| Static linear load, front CECE ..... | kg/cm | 15,9        |
| Grossweight .....                    | kg    | 5.500       |

### Dimensions

|                           |    |       |
|---------------------------|----|-------|
| Working width .....       | mm | 1.380 |
| Track radius, inner ..... | mm | 2.616 |

### Driving Characteristics

|   |      |       |
|---|------|-------|
| Speed (1) .....                           | km/h | 5,0   |
| Speed (2) .....                           | km/h | 10,0  |
| Max. gradeability without/with vibr. .... | %    | 40/30 |

### Drive

|                                  |       |                  |
|----------------------------------|-------|------------------|
| Engine manufacturer .....        |       | Kubota           |
| Type .....                       |       | V2403            |
| Emission stage .....             |       | Stage V / TIER4f |
| Exhaust gas aftertreatment ..... |       | DPF              |
| Cooling .....                    |       | water            |
| Number of cylinders .....        |       | 4                |
| Performance ISO 14396 .....      | kW    | 34,1             |
| Performance SAE J 1995 .....     | hp    | 45,7             |
| Speed .....                      | min-1 | 2.400            |
| Speed adjustment 1 .....         | min-1 | 2.300            |
| Speed adjustment 2 .....         | min-1 | 2.530            |
| Electric equipment .....         | V     | 12               |

### Drums and Tyres

|                       |  |            |
|-----------------------|--|------------|
| Tyre size .....       |  | 10.5/80-16 |
| Number of tyres ..... |  | 4          |

### Brakes

|                     |  |           |
|---------------------|--|-----------|
| Service brake ..... |  | hydrost.  |
| Parking brake ..... |  | hydromec. |

### Steering

|  |      |              |
|--|------|--------------|
| Steering system .....                  |      | oscil.artic. |
| Steering method .....                  |      | hydrost.     |
| Steering / oscillating angle +/- ..... | grad | 32/10        |
| Crab walk .....                        | mm   | 0- 50        |

### Exciter system

|                         |    |          |
|-------------------------|----|----------|
| Vibrating drum .....    |    | front    |
| Drive system .....      |    | hydrost. |
| Frequency .....         | Hz | 50/56    |
| Amplitude .....         | mm | 0,50     |
| Centrifugal force ..... | kN | 45/57    |

### Capacities

|                |   |       |
|----------------|---|-------|
| Fuel .....     | l | 55,0  |
| Water .....    | l | 260,0 |
| Emulsion ..... | l | 50,0  |

Technical modifications reserved. Machines may be shown with options.

### Standard Equipment

- Hydrostatic travel and vibration drive
- 2 scrapers per drum, spring loaded and tiltable
- Pressure sprinkler system with interval switch
- Multi function travel lever
- Multi-function display incl. operating hour meter
- Water level
- Electronic fuel gauge
- Emergency STOP
- Individual control, vibration
- Intelligent Vibration Control (IVC)
- Integrated storage compartment
- Sliding seat incl. double travel lever
- Seat contact switch
- 12V socket
- Working lights front and rear
- Vandalism protection
- Lockable engine hood made of composite material
- Lashing eyes, galvanized
- Single point lifting device
- Back-up alarm

### Optional Equipment

- \*Foldable ROPS incl. seat belt
- Sun roof, rigid
- Sun roof, foldable with ROPS
- Weather protection for sun roof
- Weather protection cabin
- Seat heating
- ECONOMIZER with asphalt temperature display
- Temperature display
- BOMAG TELEMATIC
- Indicator and hazard lights
- Rotary beacon
- Optional lighting on ROPS
- Lighting for drum edge
- Battery disconnect switch
- Environmentally compliant hydraulic oil
- Theft protection
- Edge cutter
- Gravel scatterer
- Thermal aprons
- Hydraulically adjustable crabwalk (50mm)
- Pointer
- 2. Amplitude:0,2mm
- Backup warning buzzer with broadband technology
- Special painting
- Tool kit
- ECOSTOP
- Outside mirrors
- Anti-frost intake
- Tablet holder set
- JOBLINK measuring technology interface
- JOBLINK Bluetooth adapter
- BOMAP GPS antenna holder

\* Standard delivery with CE conformity  
(valid within European Union)

