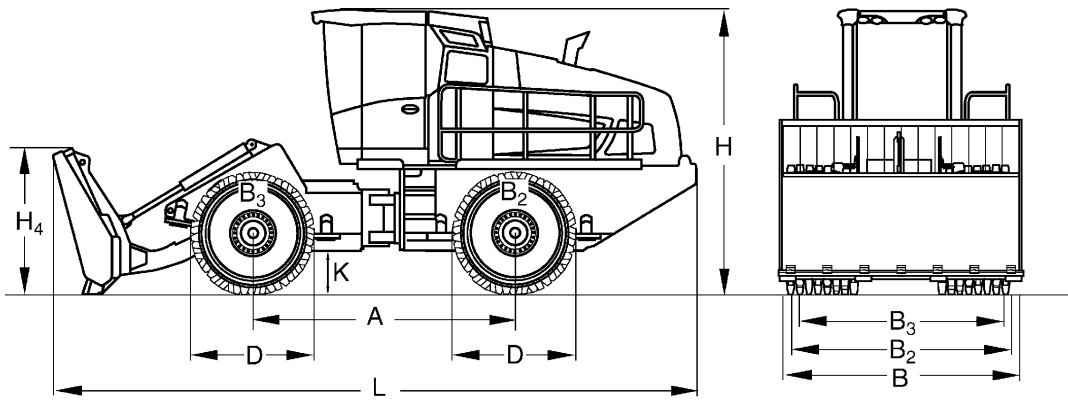


# TECHNICAL DATA

REFUSE COMPACTOR

BC 473 RB-5, BC 573 RB-5





**Dimensions in mm**

	<b>A</b>	<b>B</b>	<b>B2</b>	<b>B3</b>	<b>D</b>	<b>H</b>	<b>H4</b>	<b>K</b>	<b>L</b>
<b>BC 473 RB-5</b>	3500	3600	3560	3335	1660	3820	1950	600	8610
<b>BC 573 RB-5</b>	3500	3600	3560	3335	1660	3820	1950	600	8610

**Shipping dimensions in m3**

<b>BC 473 RB-5</b>	118,405
<b>BC 573 RB-5</b>	118,405

**Technical Data****BOMAG  
BC 473 RB-5****BOMAG  
BC 573 RB-5****Weights**

Grossweight .....	kg	26.800	29.100
Operating weight CECE .....	kg	26.000	28.300
Axle load, front CECE .....	kg	12.750	13.900
Axle load, rear CECE .....	kg	13.250	14.400

**Driving Characteristics**

Speed (1), forward .....	km/h	0- 4,5	0- 4,5
Speed (1), reverse .....	km/h	0- 4,5	0- 4,5
Speed (2), forward .....	km/h	0- 12,0	0- 12,0
Speed (2), reverse .....	km/h	0- 12,0	0- 12,0
Max. gradeability (dep. on soil con.) .....	%	100	100
Max. pushing force .....	kN	281	305

**Drive**

Engine manufacturer .....		Merc. Benz/MTU	Merc. Benz/MTU
Type .....		OM 936 LA	OM 936 LA
Emission stage .....		Stage V / TIER4f	Stage V / TIER4f
Exhaust gas aftertreatment .....		SCR+DOC+DPF	SCR+DOC+DPF
Cooling .....		Liquid	Liquid
Number of cylinders .....		6	6
Performance ECE R 120 .....	kW	210,0	210,0
Performance SAE J 1349 .....	hp	281,0	281,0
Speed .....	min-1	2.200	2.200
Travel system .....		hydrost.	hydrost.
Operating voltage .....	V	24	24

**Compaction Wheels**

Width, front .....	mm	1.125	1.125
Width, rear .....	mm	1.125	1.125
Outer diameter (front) .....	mm	1.660	1.660
Outer diameter (rear) .....	mm	1.660	1.660
Number of teeth/cutters, front .....		50	50
Number of teeth/cutters, rear .....		50	50
Compaction coverage per side .....	mm	1.238	1.238

**Brakes**

Service brake .....		hydrost.	hydrost.
Parking brake .....		hydromec.	hydromec.

**Steering**

Steering system .....		oscil.artic.	oscil.artic.
Steering method .....		hydraulic	hydraulic
Steering angle +/- .....	grad	35	35
Oscillating angle +/- .....	grad	15	15
Track radius, inner .....	mm	3.762	3.762

**Dozer Blade**

Height adjustment over ground level .....	mm	1.200	1.200
Height adjustment below ground level .....	mm	120	120
Dozer blade capacity acc. to SAE J 1265 .....	m3	11,0	11,0

**Capacities**

Fuel .....	l	375,0	375,0
Hydraulic oil .....	l	260,0	260,0
AdBlue (DEF) ® .....	l	40,0	40,0

Technical modifications reserved. Machines may be shown with options.

## Standard Equipment

## Optional Equipment

- Polygonal compaction wheels, teeth with replaceable caps
- Sliding windows on both sides
- Premium compaction wheels with highly wear resistant teeth
- CD-Radio
- Pre start cabin heating
- Rotary beacon
- Fire extinguisher
- Special painting
- Electrical anti-theft system with numerical code
- Protective ventilation system (Pre-installation)
- Tool kit
- Protective grille for cabin
- Semi-U-Blade 3590mm
- Tachograph
- Cold start device
- LED Working head lights
- Cold start device 115V
- Cold start device 230V
- Protective grille, rear
- TELEMATIC POWER

