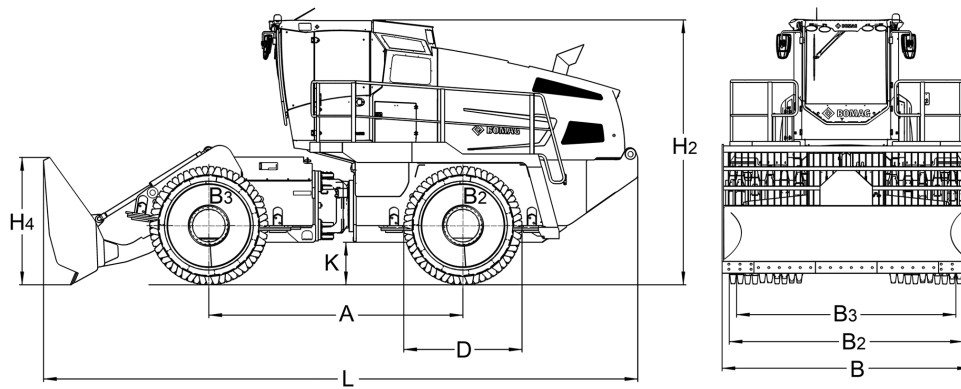


TECHNICAL DATA

REFUSE COMPACTOR

BC 673 RB-5, BC 773 RB-5





Dimensions in mm

	A	B	B2	B3	D	H2	H4	K	L
BC 673 RB-5	3890	3800	3692	3467	1810	4060	1950	650	9110
BC 773 RB-5	3890	3800	3692	3467	1810	4060	1950	650	9110

Shipping dimensions in m3

BC 673 RB-5	140,549
BC 773 RB-5	140,549

Technical Data**BOMAG
BC 673 RB-5****BOMAG
BC 773 RB-5****Weights**

Grossweight	kg	34.300	37.900
Operating weight CECE	kg	33.700	37.300
Axle load, front / rear CECE	kg	16.200/17.500	18.100/19.200

Driving Characteristics

Speed (1), forward	km/h	0- 12,0	0- 12,0
Speed (1), reverse	km/h	0- 12,0	0- 12,0
Max. gradeability (dep. on soil con.)	%	100	100
Max. pushing force	kN	346	394

Drive

Engine manufacturer		Merc.-Benz	Merc.-Benz
Type		OM 471 LA	OM 471 LA
Emission stage		Stage V / TIER4	Stage V / TIER4
Exhaust gas aftertreatment		DOC+DPF+SCR	DOC+DPF+SCR
Cooling		Liquid	Liquid
Number of cylinders		6	6
Performance ECE R 120	kW	340,0	340,0
Performance SAE J 1349	hp	456,0	456,0
Speed	min-1	1.700	1.700
Travel system		hydrost.	hydrost.
Operating voltage	V	24	24

Compaction Wheels

Width, front / rear	mm	1.125/1.125	1.125/1.125
Outer diameter (front)	mm	1.810	1.810
Outer diameter (rear)	mm	1.810	1.810
Number of teeth/cutters, front		55	55
Number of teeth/cutters, rear		55	55
Compaction coverage per side	mm	1.238	1.238

Brakes

Service brake		hydrost.	hydrost.
Parking brake		hydromec.	hydromec.

Steering

Steering system		oscil.artic.	oscil.artic.
Steering method		hydraulic	hydraulic
Steering / oscillating angle +/-	grad	40/15	40/15
Track radius, inner	mm	3.756	3.756

Dozer Blade

Height adjustment over ground level	mm	1.200	1.200
Height adjustment below ground level	mm	50	50
Dozer blade capacity acc. to SAE J 1265	m3	11,6	11,6

Capacities

Fuel	l	650,0	650,0
Engine oil	l	39,0	39,0
Hydraulic oil	l	350,0	350,0
AdBlue (DEF) ®	l	40,0	40,0

Technical modifications reserved. Machines may be shown with options.

Standard Equipment

Optional Equipment

- Polygonal compaction wheels, teeth with replaceable caps
- Premium compaction wheels with highly wear resistant teeth
- Blade 3800mm
- Semi-U-Blade 3750mm
- Semi-U-Blade 4480mm
- PS3 Bucket 3800mm
- Blade 4350mm
- Pre start cabin heating
- Fire extinguisher
- Special painting
- Environmentally compliant hydraulic oil
- Protective ventilation system (Pre-installation)
- Lockable hood lock (anti-theft protection)
- Tool kit
- Tarpomatic (Pre-installation)
- Tachograph
- Cold start device 115V
- Cold start device 230V
- TELEMATIC POWER

