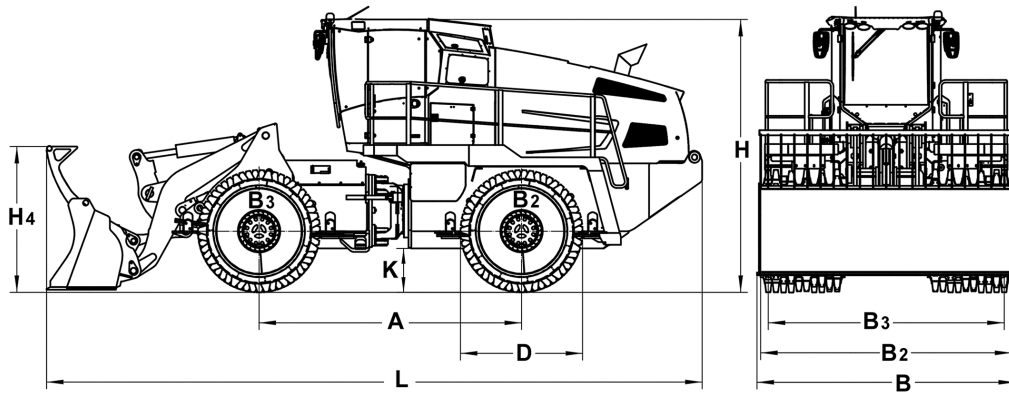


# TECHNICAL DATA

REFUSE COMPACTOR

BC 773 RS-5





**Dimensions in mm**

	<b>A</b>	<b>B</b>	<b>B2</b>	<b>B3</b>	<b>D</b>	<b>H</b>	<b>H4</b>	<b>K</b>	<b>L</b>
<b>BC 773 RS-5</b>	3890	3800	3692	3467	1810	4060	2170	650	9720

**Shipping dimensions in m3**

<b>BC 773 RS-5</b>	149,960
--------------------	---------

## Technical Data

## BOMAG BC 773 RS-5

### Weights

Grossweight .....	kg	37.100
Operating weight CECE .....	kg	36.400
Axle load, front CECE .....	kg	18.875
Axle load, rear CECE .....	kg	17.525

### Driving Characteristics

Speed (1), forward .....	km/h	0- 4,0
Speed (1), reverse .....	km/h	0- 4,0
Speed (2), forward .....	km/h	0- 7,5
Speed (2), reverse .....	km/h	0- 7,5
Speed (3), forward .....	km/h	0- 12,0
Speed (3), reverse .....	km/h	0- 12,0
Max. gradeability (dep. on soil con.) .....	%	100
Max. pushing force .....	kN	394

### Drive

Engine manufacturer .....		Merc.-Benz
Type .....		OM 471 LA
Emission stage .....		Stage V / TIER4f
Exhaust gas aftertreatment .....		DOC+DPF+SCR
Cooling .....		Liquid
Number of cylinders .....		6
Performance ECE R 120 .....	kW	340,0
Performance SAE J 1349 .....	hp	456,0
Speed .....	min-1	1.700
Travel system .....		hydrost.
Operating voltage .....	V	24

### Compaction Wheels

Width, front .....	mm	1.125
Width, rear .....	mm	1.125
Outer diameter (front) .....	mm	1.810
Outer diameter (rear) .....	mm	1.810
Number of teeth/cutters, front .....		55
Number of teeth/cutters, rear .....		55
Compaction coverage per side .....	mm	1.238

### Brakes

Service brake .....		hydrost.
Parking brake .....		hydromec.

### Steering

Steering system .....		oscil.artic.
Steering method .....		hydraulic
Steering angle +/- .....	grad	40
Oscillating angle +/- .....	grad	15
Track radius, inner .....	mm	3.756

### Capacities

Fuel .....	l	650,0
Engine oil .....	l	39,0
Hydraulic oil .....	l	350,0
AdBlue (DEF) ® .....	l	40,0

Technical modifications reserved. Machines may be shown with options.

## Standard Equipment

## Optional Equipment

- Polygonal compaction wheels, teeth with replaceable caps
- Premium compaction wheels with highly wear resistant teeth
- Bucket 3800mm
- Bucket tooth system
- Pre start cabin heating
- Fire extinguisher
- Special painting
- Environmentally compliant hydraulic oil
- Protective ventilation system (Pre-installation)
- Lockable hood lock (anti-theft protection)
- Tool kit
- Tachograph
- Cold start device 115V
- Cold start device 230V
- TELEMATIC POWER

