



Bracke C16.c

Silviculture and biomass head

Bracke C16.c is an accumulating felling head for silviculture and biomass applications. The head has a high accumulating capacity and a unique patented cutting solution that provides a very high harvesting capacity. Bracke C16.c can be attached to harvesters, forwarders, and other machines equipped with a boom or crane.

Design

The cutting solution consists of a cutting blade with a $\frac{3}{4}$ " saw chain. The disc's design always keeps the chain tensioned. Bracke C16.c has a hydraulic piston engine that provides higher production, longer life and lower fuel consumption than the earlier generations.

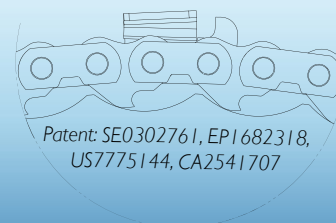
Efficient silviculture

The Bracke C16.c combines highly efficient clearing with the ability to make use of biomass. This makes the head suited for mechanized felling, such as in sapling clearing, thinning,

corridor clearing, crane corridor thinning and clearing along roadsides, fields and power lines.

Service and follow-up program

With Bracke C16.c, a service and follow-up program is included. The program simplifies service, offers the ability to count the number of accumulations and bundles, and gives the operator information on the head's functions. Adjustment of parameters and trouble shooting can be carried out remotely by service personnel connecting directly to the software in the Bracke C16.c. The program assumes a PC with an operating system of Windows XP or later, and an Internet connection.



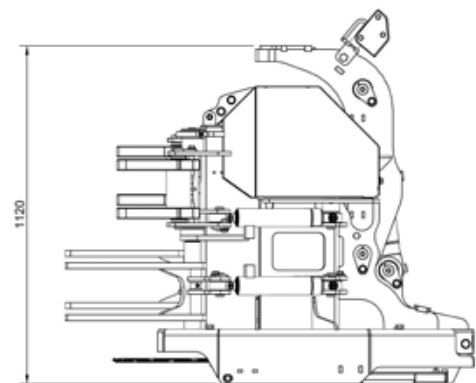
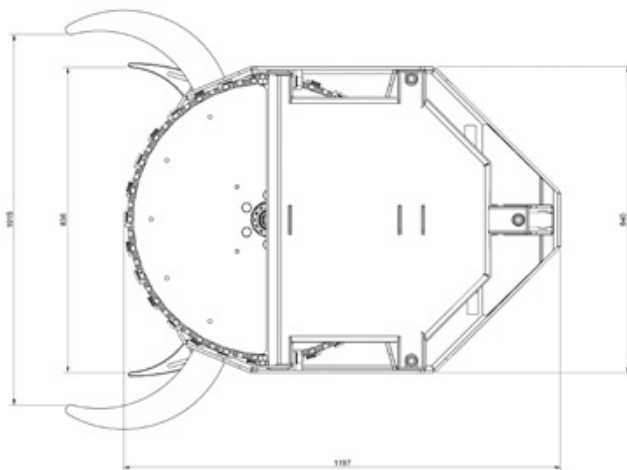
Bracke reserves the right to make changes. 2017-05-10

Technical data

Prime mover	Harvesters, forwarders, excavators and other machines equipped with a boom or crane.
Weight	625 kg
Blade diameter	795 mm
Capacity	260 mm
Sawchain	3/4" chain
Hydraulic pressure	170 bar
Hydraulic flow	140 l/min
Electrical system	24V
Control system	PLC based
Accessories	Leveling



Bracke C16.c, accumulating felling head for silviculture and biomass applications.



Unique patented cutting solution with high harvesting capacity.



Efficient clearing is combined with the possibility to make use of biomass.

Bracke reserves the right to make changes. 2017-05-10

Bracke Forest AB

Svedjegatan 11, 843 31 Bräcke, Sweden

Tel.: +46 (0)693 - 105 75 • info@brackeforest.com • www.brackeforest.com

Bracke
FOREST