

Technical sheet :

200 ATJ ST5

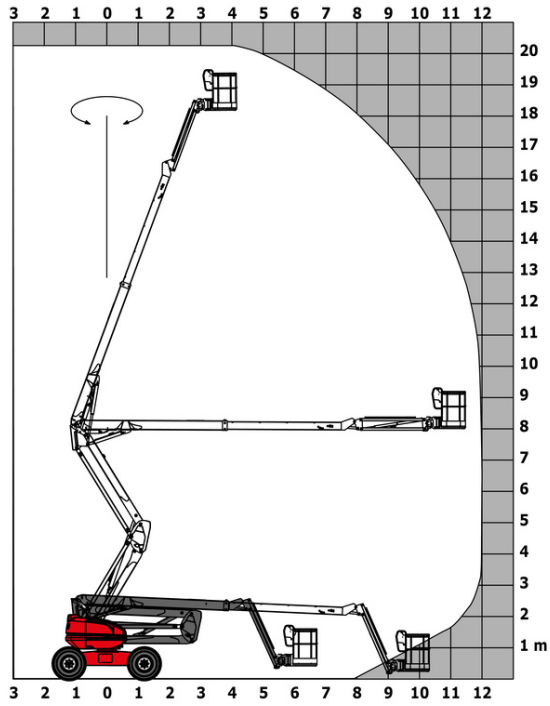


Capacities		Metric
Working height	h21	20.35 m
Platform height	h7	18.35 m
Max. outreach		12 m
Overhang	h31	8 m
Pendular arm rotation (top / bottom)		+69 ° / -66 °
Platform capacity	Q	230 kg
Turret rotation		355 °
Platform rotation (right / left)		90 ° / 90 °
Number of people (inside / outside)		2 / 2
Weight and dimensions		
Platform weight*		10050 kg
Platform dimensions (length x width)	lp / ep	2.10 m x 0.80 m
Overall width	b1	2.47 m
Overall length	l1	8.43 m
Overall height	h17	2.70 m
Overall length (stowed)	l9	6.24 m
Overall height (stowed)	h18	2.99 m
Floor height (access)	h20	500 mm
Counterweight offset (turret at 90°)	a7	0.11 m
Internal turning radius (over tyres)	b13	1.26 m
External turning radius	Wa3	3.90 m
Ground clearance at centre of wheelbase	m2	0.44 m
Wheelbase	y	2.40 m
Performances		
Drive speed - stowed		4.70 km/h
Drive speed - raised		0.80 km/h
Gradeability		40 %
Permissible leveling		5 °
Wheels		
Tyres type		Cured on foam filled tires
Dimensions of front wheels / rear wheels		1025 x 365 mm - 1025 x 365 mm
Drive wheels (front / rear)		2 / 2
Steering wheels (front / rear)		2 / 2
Braking wheels (front / rear)		0 / 2
Engine/Battery		
Engine brand / model		Yanmar - 3TNV88C
I.C. Engine power rating / Power (kW)		34 Hp / 25.50 kW
Miscellaneous		
Ground Pressure		20.65 dan/cm2
Hydraulic Pressure		335 Bar
Hydraulic tank capacity		80 l
Fuel tank		78 l
Standards compliance		
This machine is in compliance with:		European directives: 2006/42/EC- Machinery (revised EN280:2013) - 2004/108/EC (EMC) - 2006/95/EC (Low voltage)

*Varies according to options and standards of the country to which the machine is delivered

200 ATJ ST5 - Load chart

Load Chart metric



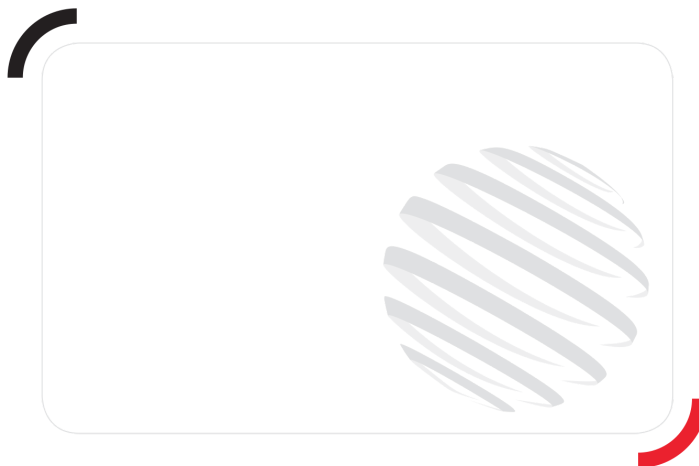
Equipment

Standard

230V Predisposition
 4 simultaneous movements
 4 wheel drive
 4 wheel steer with crab mode
 Audible alarm and illuminated indicator lamp (leveling, overload, lowering)
 Backup electrical pump
 CAN bus technology
 Dead man pedal
 Differential locking on rear axle
 Easy Manager
 Emergency stop button in platform and on frame
 Engine with DPF
 Front axle with limited slip
 Fuel gauge with low level indicator
 Galvanized basket 2,100 mm
 Hour meter
 LED rotating beacon
 Large color screen on turret
 Management via engine speed bearing
 Oscillating front axle
 Proportional controls
 Stop & Go system

Optional

110 or 230V plug with differential circuit breaker
 Access control keypad for easy link
 Air predisposition
 Battery cut-off
 Beep on every movement
 Beep upon travel
 Biodegradable oil
 Coded anti-start
 Continuous turret rotation
 Easy link with remote lock
 Extreme cold oil
 Fuel tank locking cap
 Galvanized basket 2,100 mm
 Galvanized basket 2,100 mm with lateral door
 Highly capacity battery
 Oil tank locking cap
 Onboard generator (3,5 or 5 kW)
 SPS : Secondary protection system
 Safety kit (Harness + helmet)
 Screen protection on the lower box control
 Socket 230 V + differential circuit breaker
 Turret cover with key lock
 Water heater
 Working light



Siège Social

430 rue de l'Aubinière - 44150 Ancenis Cedex - France

Tel: +33(0)2 40 09 10 11 - Fax: +33 (0)2 40 09 10 97

www.manitou.com



This brochure describes versions and configuration options for Manitou products which may be fitted with different equipment. The equipment described in this brochure may be standard, optional or not available depending on version. Manitou reserves the right to change the specifications shown and described at any time and without prior warning. The manufacturer is not liable for the specifications given. For more information, contact your Manitou dealer. Non-contractual document. Product descriptions may differ from actual products. List of specifications is not comprehensive. The logos and visual identity of the company are the property of Manitou and may not be used without authorisation. All rights reserved. The photos and diagrams contained in this brochure are provided for information only.

MANITOU BF SA - Limited company with board of directors - Share capital: 39,668,399 euros - 857 802 508 RCS Nantes