

Technical sheet :

MLA-T 533-145 V+



Capacities		Metric	Imperial
Static tipping load with forks (straight)		4978 kg	10975 lbs
Static tipping load with forks (full turn)		4147 kg	9143 lbs
Max. payload with forks as per EN 474-3 (80%)		3300 kg	7275 lbs
Max. lifting height (below forks)	h3	5.2 m	17 ft 1 in
Max. outreach	r1	3.3 m	10 ft 10 in
Reach at max. height		1.2 m	3 ft 11 in
Breakout force with bucket		6730 daN	6730 daN
Weight and dimensions			
Unladen weight (with forks) with 4-post canopy		8430 kg	18585 lbs
Unladen weight (with forks)		8430 kg	18585 lbs
Ground clearance	m4	0.39 m	1 ft 3 in
Overall length to carriage (with hitch)	l11	5.72 m	18 ft 9 in
Overall length to carriage (without hitch)	l3	5.72 m	18 ft 9 in
Wheelbase	y	2.5 mm	0.098 in
Overall width (over tyres)	b1	2.29 m	7 ft 6 in
Overall height with cab	h17	2.7 m	8 ft 10 in
Tilt-up angle	a4	9 °	9 °
Tilt-down angle	a5	156 °	156 °
External turning radius (over tyres)	Wa1	4.2 m	13 ft 9 in
Articulation angle		45 °	45 °
Standard tyres		Alliance - A580 - 460/70 R24 159A8	Alliance - A580 - 460/70 R24 159A8
Performances			
Crowd		3.5 s	3.5 s
Dump		2.7 s	2.7 s
Engine			
Engine brand		Deutz	Deutz
Environmental norm		Stage IV / Tier 4 Final	Stage IV / Tier 4 Final
Engine model		TCD_4_1_L4	TCD_4_1_L4
Number of cylinders / Capacity of cylinders		4 - 4038 cm ³	4 - 246.41 in ³
I.C. Engine power rating / Power (kW)		143 Hp / 105 kW	143 Hp / 105 kW
Max. torque / Engine rotation		550 Nm / 1600 rpm	550 Nm / 1600 rpm
Engine cooling system		3 radiators water + intercooler + hydraulic oil	3 radiators water + intercooler + hydraulic oil
Transmission			
Transmission type		M-Vario Plus	M-Vario Plus
Max. travel speed (may vary according to applicable regulations)		40 km/h	24.9 mph
Differential lock		Limited slip differential on front & rear axles	Limited slip differential on front & rear axles
Parking brake		Manual	Manual
Hydraulics			
Hydraulic pump type		Load sensing pump	Load sensing pump
Hydraulic flow - Pressure		158 l/min / 270 Bar	158 l/min / 19 PSI
Tank capacities			
Hydraulic oil		150 l	39.63 US gal
Fuel tank		150 l	39.63 US gal
Diesel Exhaust fluid (AdBlue® type)		10 l	2.64 US gal
Noise and vibration			
Noise at driving position (LpA) tested following NF EN 12053 norm		72 dB(A)	72 dB(A)
Noise to environment (LwA)		107 dB(A)	107 dB(A)
Vibration to whole hand/arm		2.5 m/s ²	2.5 m/s ²
Miscellaneous			
Safety cab homologation		ROPS - FOPS cab (level 2)	ROPS - FOPS cab (level 2)

Options / Finishing

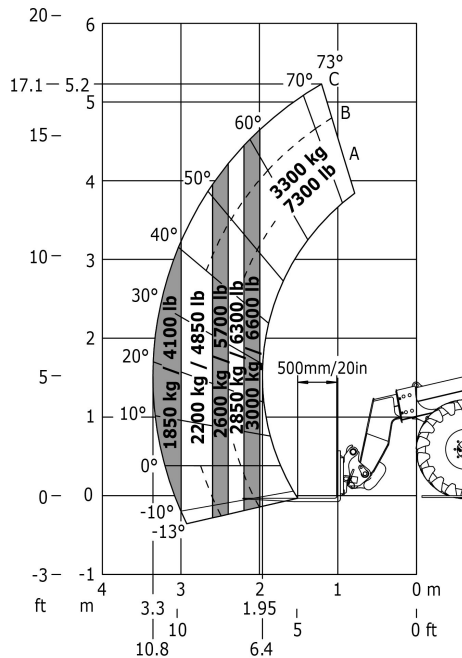
S : Standard / O : Optional / - : Not available

	Classic	Premium	Elite
Lifting function			
Easy Connect System (E.C.S.)	-	S	-
Hydraulic attachment locking	O	O	O

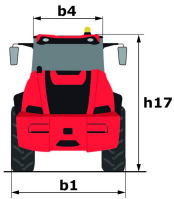
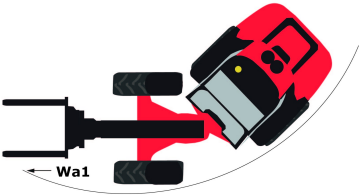
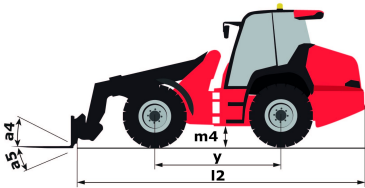
	Classic	Premium	Elite
Intelligent Hydraulics	O	O	S
Regenerative Hydraulics	O	-	S
Operator station			
"Active CRC" boom suspension	O	O	S
Adjustable and telescopic steering column	S	S	S
Air conditioning with automatic adjustment	O	S	S
Air suspension cloth-covered seat (GRAMMER)	O	-	-
Bluetooth USB car radio with extra microphone (100 W)	O	O	S
Bluetooth USB car radio with integrated microphone (100 W)	O	S	-
Electric mirrors with de-icing	-	-	S
Electric mirror with de-icing	S/O**	O	-
Floor mat	S	S	S
Low frequency air suspension cloth-covered seat (GRAMMER)	O	O	S
Low frequency air suspension cloth-covered seat with heating (GRAMMER)	O	O	-
Mechanical cloth-covered seat (GRAMMER)	S	S	-
Tuner car radio (50 W)	S	-	-
Motorization/Power			
Attachment hydraulic line	S	S	S
Continuous flow hydraulics	O	O	S
Hand throttle	S	S	S
Self cleaning air prefilter	-	-	S
Self-cleaning pre-filter	S	S	-
Speed control	S	S	S
Lighting			
Complete road lighting	S	S	S
Flat Led Rotating Beacon	S	S	S
Front and rear LED work lights on cab (x4: 2 front + 2 rear)	O	S	S
Front and rear work lights on cab (x4: 2 front + 2 rear)	S	-	-

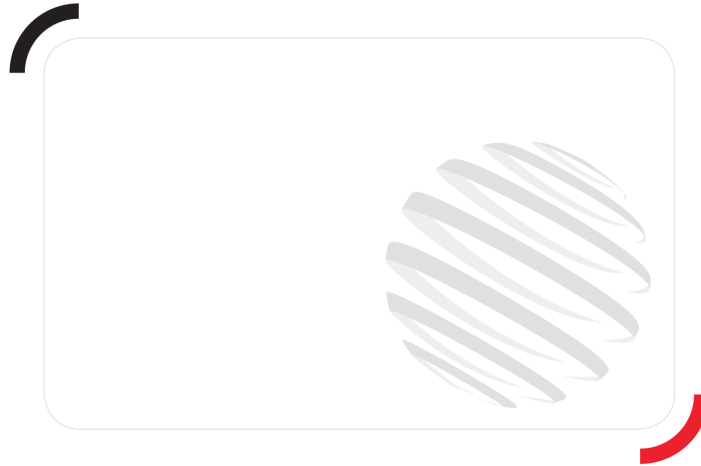
Load chart

Machine on tyres with forks - Load chart compliant with EN 474-3 (80%)
Metric



Dimensional drawing





Siège Social
430 rue de l'Aubinière - 44150 Ancenis Cedex - France
Tel: +33(0)2 40 09 10 11 - Fax: +33 (0)2 40 09 10 97
www.manitou.com



This brochure describes versions and configuration options for Manitou products which may be fitted with different equipment. The equipment described in this brochure may be standard, optional or not available depending on version. Manitou reserves the right to change the specifications shown and described at any time and without prior warning. The manufacturer is not liable for the specifications given. For more information, contact your Manitou dealer. Non-contractual document. Product descriptions may differ from actual products. List of specifications is not comprehensive. The logos and visual identity of the company are the property of Manitou and may not be used without authorisation. All rights reserved. The photos and diagrams contained in this brochure are provided for information only.

MANITOU BF SA - Limited company with board of directors - Share capital: 39,668,399 euros - 857 802 508
RCS Nantes