

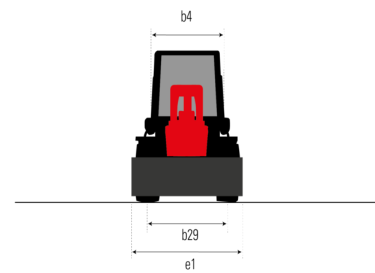
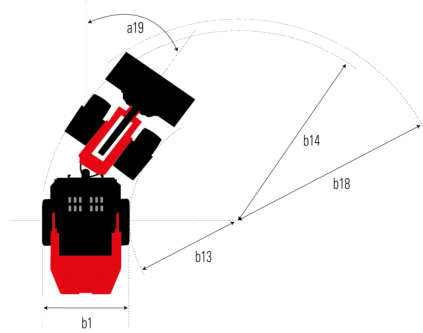
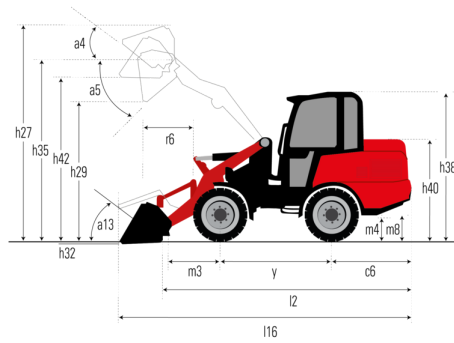
Technical sheet :

MLA 3-25 H-C



Capacities		Metric
Static tipping load with bucket (straight)		1450 kg
Static tipping load with bucket (full tum)		1275 kg
Static tipping load with forks (straight)		1080 kg
Static tipping load with forks (full tum)		950 kg
Max. height of bucket pivot point	h35	2435 mm
Weight and dimensions		
Unladen weight (with forks) with 4-post canopy		2100 kg
Wheelbase	y	1650 mm
Overall cab width	b4	991 mm
Overall height with 4 posts canopy	h38	2258 mm
Dump reach - Full height	r6	524 mm
Hood Height	h40	1405 mm
Overall Operating Height - Fully Raised	h27	3253 mm
Articulation angle	a19	45 °
Maximum oscillation angle		10 °
Overall length with bucket	l16	4104 mm
Overall width less bucket	b1	1100 mm
Overall length - Less Bucket	l2	3406 mm
Rear overhang	c6	995 mm
Dump angle - Fully raised	a5	44 °
Dump Height - Fully Raised	h29	1829 mm
Maximum Rollback Angle - Fully Raised	a4	49 °
Maximum Rollback Angle at Ground	a13	49 °
Digging Position	h32	-116 mm
Ground clearance	m4	320 mm
Clearance Radius - Front with Bucket	b18	3246 mm
Clearance Radius - Less bucket	b14	2767 mm
Ground Plane to Bucket Edge Height	h42	2208 mm
Tread width (wheel center)	b29	836 mm
Attachment Pivot Clearance	d6	116 mm
Height from ground to axle center	m8	214 mm
Bucket Width	e1	1520 mm
Front Wheel Center to Pivot Pin	m3	617 mm
Engine		
Engine brand		Perkins
Engine model		403J-17
Number of cylinders		3
I.C. Engine power rating / Power (kW)		24.70 Hp / 18.40 kW
Max. torque / Engine rotation		85 Nm / 1800 rpm
Engine cooling system		Water
Transmission		
Transmission type		Hydrostatic
Number of gears (forward / reverse)		2 / 2
Max. travel speed (may vary according to applicable regulations)		20 km/h
Service brake		Inching Brake
Hydraulics		
Hydraulic pump type		Gear pump
Hydraulic flow - Pressure		30 l/min / 207 Bar
High-Flow Option (l/min)		30 l/min
Tank capacities		
Hydraulic oil		24 l
Fuel tank		50 l

MLA 3-25 H-C - Dimensional drawing





Siège Social

430 rue de l'Aubinière - 44150 Ancenis Cedex - France

Tel: +33(0)2 40 09 10 11 - Fax: +33 (0)2 40 09 10 97

www.manitou.com



This brochure describes versions and configuration options for Manitou products which may be fitted with different equipment. The equipment described in this brochure may be standard, optional or not available depending on version. Manitou reserves the right to change the specifications shown and described at any time and without prior warning. The manufacturer is not liable for the specifications given. For more information, contact your Manitou dealer. Non-contractual document. Product descriptions may differ from actual products. List of specifications is not comprehensive. The logos and visual identity of the company are the property of Manitou and may not be used without authorisation. All rights reserved. The photos and diagrams contained in this brochure are provided for information only.

MANITOU BF SA - Limited company with board of directors - Share capital: 39,668,399 euros - 857 802 508 RCS Nantes