

Technical sheet :

# **MT 735 75D ST5**

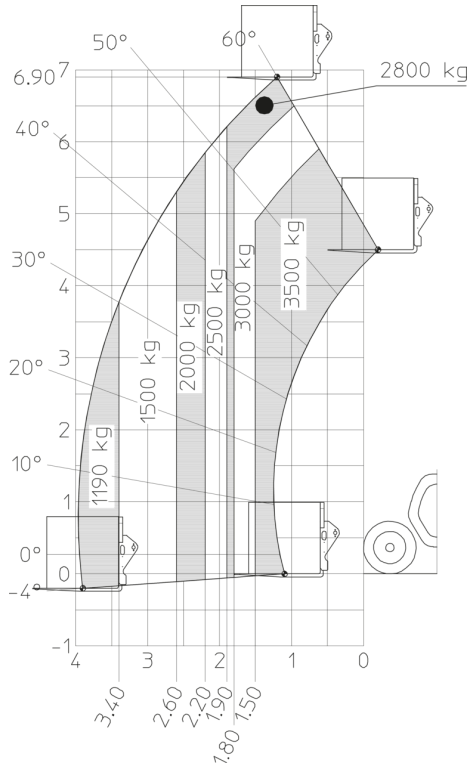
---

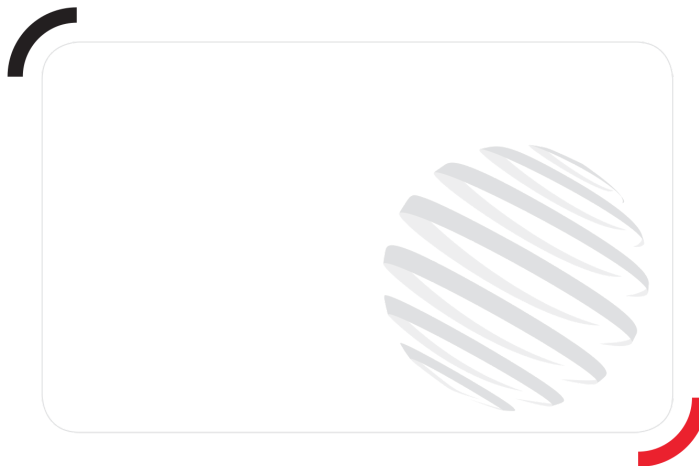


Capacities		Metric	Imperial
Max. capacity		3500 kg	7716 lb
Max. lifting height		6.90 m	22 ft 8 in
Max. outreach		4 m	13 ft 1 in
Breakout force with bucket		6850 daN	6850 daN
Weight and dimensions			
Overall length to carriage	l11	4.78 m	15 ft 8 in
Overall length (with forks)	l1	5.98 m	19 ft 8 in
Overall width	b1	2.27 m	7 ft 6 in
Overall height	h17	2.48 m	8 ft 2 in
Wheelbase	y	2.80 m	9 ft 2 in
Ground clearance	m4	0.42 m	1 ft 5 in
Overall cab width	b4	0.95 m	3 ft 1 in
Tilt-up angle	a4	13 °	13 °
Tilt-down angle	a5	114 °	114 °
External turning radius	Wa3	3.78 m	12 ft 5 in
External turning radius (over tyres)	Wa1	3.78 m	12 ft 5 in
Unladen weight (with forks)		6930 kg	15278 lb
Unladen weight		6610 kg	14573 lb
Overall weight		6930 kg	15278 lb
Tyres type		Pneumatic	Pneumatic
Standard tyres		ALLIANCE 400/80-24 162A8 A325	ALLIANCE 400/80-24 162A8 A325
Standard tyres		Alliance 400/80 - 24 -162A8	Alliance 400/80 - 24 -162A8
Forks length / width / section	l / e / s	1200 mm x 100 mm / 50 mm	47 in x 4 in / 2 in
Performances			
Lifting		5.90 s	5.90 s
Lowering		4.20 s	4.20 s
Extension		12.30 s	12.30 s
Retraction		4.70 s	4.70 s
Crowd		3.50 s	3.50 s
Dump		3.60 s	3.60 s
Engine			
Engine brand		Deutz	Deutz
Engine norm		Stage V / Tier 4 Final	Stage V / Tier 4 Final
Engine model		TCD 3.6 L	TCD 3.6 L
Number of cylinders / Capacity of cylinders		4 - 2924 cm³	4 - 178 in³
I.C. Engine power rating - Power (kW)		55.92 kW / 55.40 kW	75 Hp / 74 Hp
Max. torque / Engine rotation		375 Nm @ 1400 rpm	277 ft/lbs @ 1400 rpm
Drawbar pull (Laden)		7220 daN	7220 daN
Transmission			
Transmission type		Torque converter	Torque converter
Number of gears (forward / reverse)		4 / 4	4 / 4
Max. travel speed		24.70 km/h	15 mi/h
Parking brake		Automatic parking brake	Automatic parking brake
Service brake		Hydraulic servo brake	Hydraulic servo brake
Hydraulics			
Hydraulic pump type		Axial piston	Axial piston
Hydraulic Pressure		260 bar	3771 PSI
Tank capacities			
Engine oil		8.50 l	2 US gal
Hydraulic oil		149 l	39 US gal
Fuel tank		137 l	36 US gal
Noise and vibration			
Noise at driving position (LpA)		77 dB	77 dB
Noise to environment (LwA)		104 dB	104 dB
Vibration on hands/arms		< 2.50 m/s²	< 2.50 m/s²
Miscellaneous			
Steering wheels (front / rear)		2 / 2	2 / 2
Drive wheels (front / rear)		2 / 2	2 / 2
Safety / Safety cab homologation		Standard EN 15000 / Cabin ROPS - FOPS Level 2	Standard EN 15000 / Cabin ROPS - FOPS Level 2
Controls		JSM	JSM

# MT 735 75D ST5 - Load chart

## Machine on tyres with forks Metric





**Head Office**

B.P. 249 - 430 rue de l'Aubinière

44150 Ancenis Cedex - France

Tel: +33 (0)2 40 09 10 11 - Fax: +33 (0)2 40 09 10 97

[www.manitou.com](http://www.manitou.com)



This publication provides a description of the configuration versions and options for Manitou products, which may differ for equipment. The equipment presented in this brochure may be part of a series, as an option, or it may not be available, depending on the versions. Manitou reserves the right, at any time and without notice, to amend the specifications described and represented. The specifications provided do not bind the manufacturer. For more details, please contact your Manitou agent. This is not a contractually binding document. The presentation of the products is not contractually binding. List of specifications non-exhaustive. The logos as well as the visual identity of the company are owned by Manitou and cannot be used without authorisation. All rights reserved. The photos and diagrams contained in this brochure are only provided for consultation and information purposes.

MANITOU BF SA - Limited company with board of directors - Share capital: 39,668,399 euros - 857 802 508 RCS Nantes