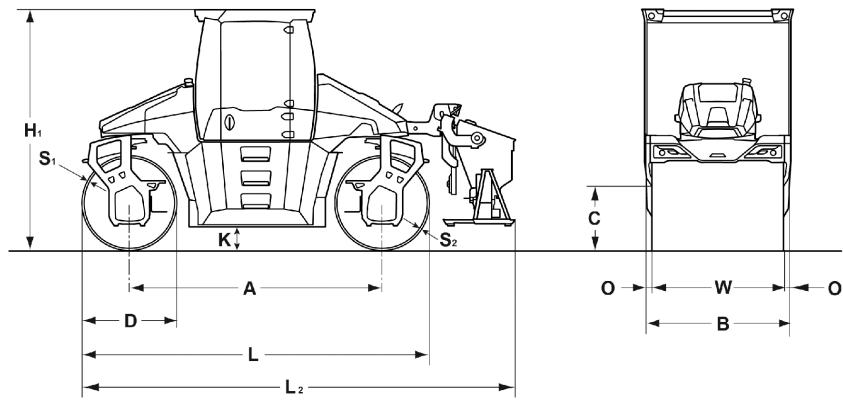


TECHNICAL DATA

ASPHALT MANAGER 2

BW 154 AP-5 AM, BW 174 AP-5 AM





Dimensions in mm

	A	B	C	D	H1	K	L	L2	O	S1	S2	W
BW 154 AP-5 AM	2890	1680	790	1100	3020	260	3990	5030	90	16	16	1500
BW 174 AP-5 AM	3220	1860	780	1200	3050	280	4420	5520	90	19	17	1680

Shipping dimensions in m3

BW 154 AP-5 AM
BW 174 AP-5 AM

with cabin

20,244
 25,075

Machine type	Compaction output (t/h) at different asphalt layer thicknesses		
	2-4	6-8 cm	10-14 cm
BW 154 AP-5 AM	35-70	70-150	100-180
BW 174 AP-5 AM	60-120	110-210	190-300

Technical Data**BOMAG
BW 154 AP-5 AM****BOMAG
BW 174 AP-5 AM****Weights**

Operating weight CECE w. ROPS-cabin	kg	7.300	9.700
Axle load, front / rear CECE	kg	3.750/3.550	4.900/4.800
Static linear load, front / rear CECE	kg/cm	25,0/23,7	29,2/28,6
Max. weight	kg	8.800	10.900

Dimensions

Track radius, inner	mm	2.950	2.970
---------------------------	----	-------	-------

Driving Characteristics

Speed	km/h	0- 10,5	0- 11,0
-------------	------	---------	---------

Drive

Engine manufacturer		Kubota	Deutz
Type		V3307 -T	TCD 3.6
Emission stage		Stage V / TIER4f	Stage V / TIER4f
Exhaust gas aftertreatment		DOC+DPF	DPF+SCR
Cooling		Liquid	Liquid
Number of cylinders		4	4
Performance ISO 14396	kW	55,4	74,4
Performance SAE J 1995	hp	74,2	99,6
Speed	min-1	2.400	2.200
Split drum		front + rear	front + rear

Brakes

Service brake		hydrost.	hydrost.
Parking brake		mech.	mech.

Steering

Steering system		2-p. pivoted	2-p. pivoted
Lateral displacement right/left	mm	1.130	1.360

Exciter system

Frequency	Hz	47/47	47/47
Amplitude	mm	0,73/0,41	0,62/0,35
Centrifugal force	kN	101/52	101/52

Vario system

ASPHALT MANAGER		front	front
Frequency	Hz	47	47
Amplitude directed (hor./vert.)	mm	0- 0,81	0- 0,83
Centifugal force	kN	131	159

Capacities

Fuel	l	180,0	180,0
Water	l	550,0	680,0

Technical modifications reserved. Machines may be shown with options.

Standard Equipment

- ECOMODE
- ASPHALT MANAGER
- Oscillation mode
- Highly wear resistant AM drum
- 10" Touchscreen
- Water-saving pressure sprinklers
- 1 Directed exciter, front
- 1 Rotary exciter, rear
- Individual vibration control
- 4 spring-loaded hinged scrapers
- Autom. vibration operation
- Indicator and hazard lights
- ROPS cabin with seat belts
+ heating
- 2 Outside mirrors
- Steering method/Operator's seat sliding /
rotatable (270°)
- Steering with comfort control
- 5 Steering modes
- Back-up alarm
- Brake release device
- Split drums
- Emergency STOP

Optional Equipment

- Edge cutter
- Rotary beacon
- Special paint
- Environmentally compliant hydraulic oil
- Tool kit
- Precision spreader
- Precision spreader laterally slidable
- Automatic air conditioning
- Radio/Radio preparation
- LED lighting package
 - additional lateral lighting for cabin
 - Follow-me-home function
 - Lighting for drum edge
 - 2x 12V sockets in supports
- Backup warning buzzer with broadband
technology
- Additional outside mirrors
- Air-suspended comfort seat
- BOMAG TELEMATIC POWER
- BOMAG ECOSTOP
- BOMAP compaction navigation with GPS
- JOBLINK measuring technology interface
- BOMAP GPS antenna set
- BOMAP GPS antenna holder

