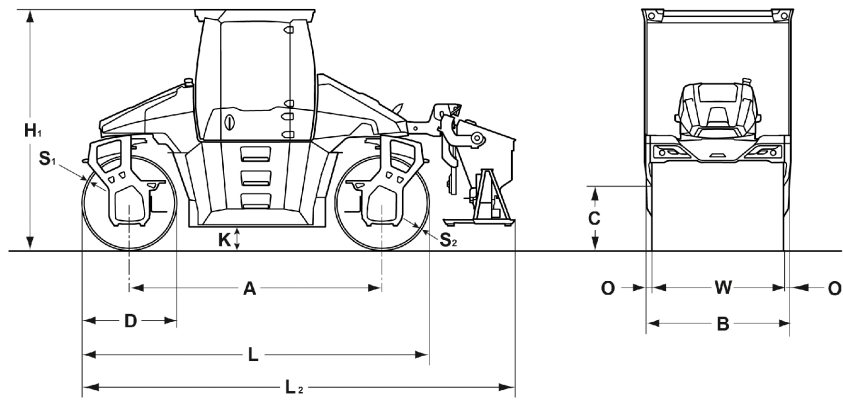


TECHNICAL DATA

TANDEM ROLLERS

BW 154 APO-5, BW 174 APO-5





Dimensions in mm

| | A | B | C | D | H1 | K | L | L2 | O | S1 | S2 | W |
|---------------------|----------|----------|----------|----------|-----------|----------|----------|-----------|----------|-----------|-----------|----------|
| BW 154 APO-5 | 2890 | 1680 | 790 | 1100 | 3020 | 260 | 3990 | 5030 | 90 | 16 | 16 | 1500 |
| BW 174 APO-5 | 3220 | 1860 | 780 | 1200 | 3050 | 280 | 4420 | 5520 | 90 | 17 | 19 | 1680 |

Shipping dimensions in m3

BW 154 APO-5
BW 174 APO-5

with cabin

20,244
 25,075

| Machine type | Compaction output (t/h) at different asphalt layer thicknesses | | |
|---------------------|---|---------------|-----------------|
| | 2-4 cm | 6-8 cm | 10-14 cm |
| BW 154 APO-5 | 30-60 | 60-130 | 80-160 |
| BW 174 APO-5 | 50-110 | 90-180 | 140-210 |

Technical Data**BOMAG
BW 154 APO-5****BOMAG
BW 174 APO-5****Weights**

| | | | |
|---|-------|-------------|-------------|
| Operating weight CECE w. ROPS-cabin | kg | 7.300 | 9.700 |
| Axle load, front / rear CECE | kg | 3.550/3.750 | 4.500/5.200 |
| Static linear load, front / rear CECE | kg/cm | 23,7/25,0 | 26,8/31,0 |
| Max. weight | kg | 8.800 | 10.900 |

Dimensions

| | | | |
|---------------------------|----|-------|-------|
| Track radius, inner | mm | 2.950 | 2.970 |
|---------------------------|----|-------|-------|

Driving Characteristics

| | | | |
|-------------|------|---------|---------|
| Speed | km/h | 0- 11,0 | 0- 11,0 |
|-------------|------|---------|---------|

Drive

| | | | |
|----------------------------------|-------|------------------|------------------|
| Engine manufacturer | | Kubota | Deutz |
| Type | | V3307 -T | TCD 3.6 |
| Emission stage | | Stage V / TIER4f | Stage V / TIER4f |
| Exhaust gas aftertreatment | | DOC+DPF | DPF+SCR |
| Cooling | | Liquid | Liquid |
| Number of cylinders | | 4 | 4 |
| Fuel | | Diesel | Diesel |
| Performance ISO 14396 | kW | 55,4 | 74,4 |
| Performance SAE J 1995 | hp | 74,2 | 99,6 |
| Speed | min-1 | 2.400 | 2.200 |
| Split drum | | front + rear | front + rear |

Brakes

| | | | |
|---------------------|--|----------|----------|
| Service brake | | hydrost. | hydrost. |
| Parking brake | | mech. | mech. |

Steering

| | | | |
|---------------------------------------|----|--------------|--------------|
| Steering system | | 2-p. pivoted | 2-p. pivoted |
| Lateral displacement right/left | mm | 1.130 | 1.360 |

Exciter system

| | | | |
|-----------------------------|----|-----------|-----------|
| Vibrating drum | | front | front |
| Autom. vibr. shut off | | standard | standard |
| Frequency | Hz | 47/47 | 47/47 |
| Amplitude | mm | 0,73/0,41 | 0,62/0,35 |
| Centrifugal force | kN | 101/52 | 101/53 |
| Oscillating drum | | rear | rear |
| O. Frequency | Hz | 47 | 47 |
| O. Amplitude | mm | 0,81 | 0,83 |

Sprinkler System

| | | | |
|--------------------------|--|----------|----------|
| Type of sprinkling | | pressure | pressure |
|--------------------------|--|----------|----------|

Capacities

| | | | |
|-------------|---|-------|-------|
| Fuel | l | 180,0 | 180,0 |
| Water | l | 550,0 | 680,0 |

Technical modifications reserved. Machines may be shown with options.

Standard Equipment

- Front drum vibration: 2 amplitudes / 2 frequencies
- TanGO Rear drum Oscillation: 1 Amplitude/ 1 Frequency
- Highly wear resistant oscillation drum
- ECOMODE
- Water-saving pressure sprinklers
- 10" Touchscreen
- Vibration and oscillation individually switchable
- 2 amplitudes / 2 frequencies
- Autom. vibration operation
- 4 spring-loaded hinged scrapers
- Indicator and hazard lights
- ROPS cabin with seat belts + heating
- 2 Outside mirrors
- Steering method/Operator's seat sliding / rotatable (270°)
- Steering with comfort control - 5 Steering modes
- Back-up alarm
- Emergency STOP
- Brake release device
- Split drums

Optional Equipment

- ECONOMIZER
- Edge cutter
- Rotary beacon
- Special paint
- Environmentally compliant hydraulic oil
- Tool kit
- Precision spreader
- Precision spreader laterally slidable
- Automatic air conditioning
- Radio/Radio preparation
- LED lighting package
 - additional lateral lighting for cabin
 - Follow-me-home function
 - Lighting for drum edge
 - 2x 12V sockets in supports
- Backup warning buzzer with broadband technology
- Additional outside mirrors
- Air-suspended comfort seat
- BOMAG TELEMATIC POWER
- BOMAG ECOSTOP
- BOMAP compaction navigation with GPS
- JOBLINK measuring technology interface
- BOMAP GPS antenna set
- BOMAP GPS antenna holder

