



## Bracke S35.a Seeder

The Bracke S35.a attaches to a scarifier rig and is used to sow in conjunction with scarification.

### Design

The Bracke S35.a is available in two and three-row versions and can be attached to all of our scarifiers as well as mounds and trenchers. The Bracke S35.a senses the prime mover's forward motion and regulates the seed feed accordingly. The seed feed can also be synchronized with the scarifier, so that only scarified soil is seeded.

### Machine control

Bracke Growth Control, the control system, is based on a PLC platform and communicates over a CAN bus. The seeder is fitted with sensors that send information to Bracke Growth Control about, for example, the prime mover's speed. For the two or three sowing channels, or seeding rows used, information is provided in real time on the

number of seeds sown for each individual channel. From the display, the operator sets functions, such as the number of seeds sown per meter and intermittent sowing. Bracke Growth Control sounds an alarm if problems arise in the seed feed. Settings are made and information retrieved via the display in the cab. All units communicate over the CAN bus. Bracke Growth Control keeps track of the number of seeds sown, for both individual channel and in total, and the distance sown.

### Precision sowing

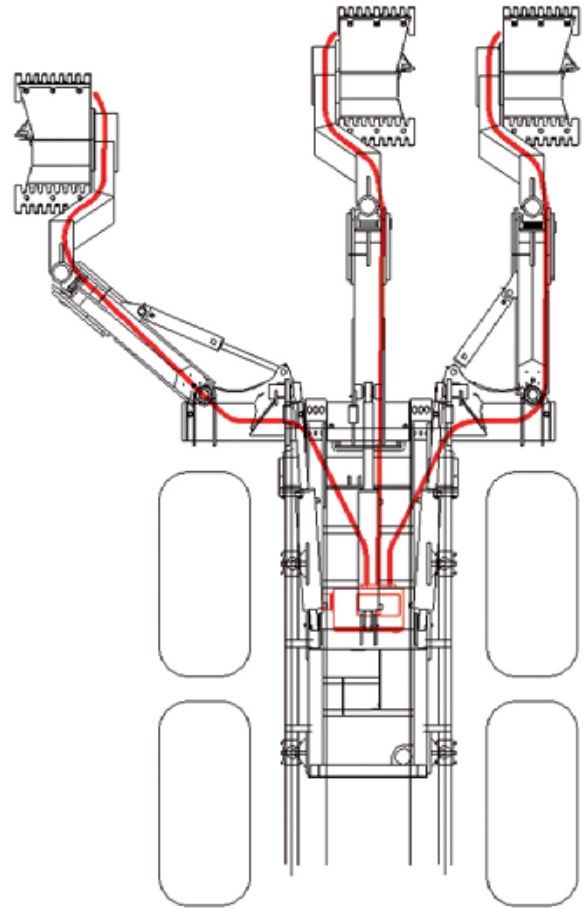
The Bracke S35.a handles each seed individually. The seed feed's amount is adjusted, based on germinating capacity and seed weight, depending on what the soil conditions demand. In separate lifting of the scarifier, the respective channel is closed. The seed handling means that sowing in clumps is avoided as are additional costs in the form of excess seed use that leads to unnecessarily large need for clearing. With the Bracke S35.a, precision seeding is done.

## Technical data

Is mounted on	Trenchers and mounders
Weight	35 kg
Sowing channels	Up to 3
Electrical system	24V
Control system	
Bracke Growth Control	PLC based
Seed feed	4 to 25 seeds/meter



Bracke Growth Control is a PLC-based control system.



The Bracke S35.a attaches to a scarifier and the seeds are fed through a tube to the seedbed. Individual seed feed wheels control the flow of seeds to each sowing channel.



The Bracke S35.a can be attached to a one-, two-, or three-row scarifier.



Very good production after scarification and sowing with the S35.a.