

Technical sheet

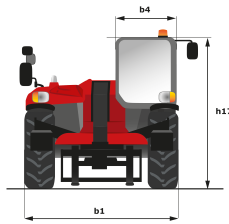
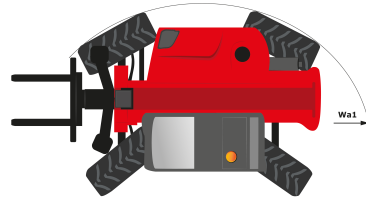
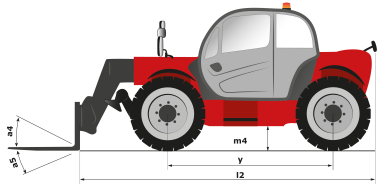
MT 1135 EASY

Telehandlers

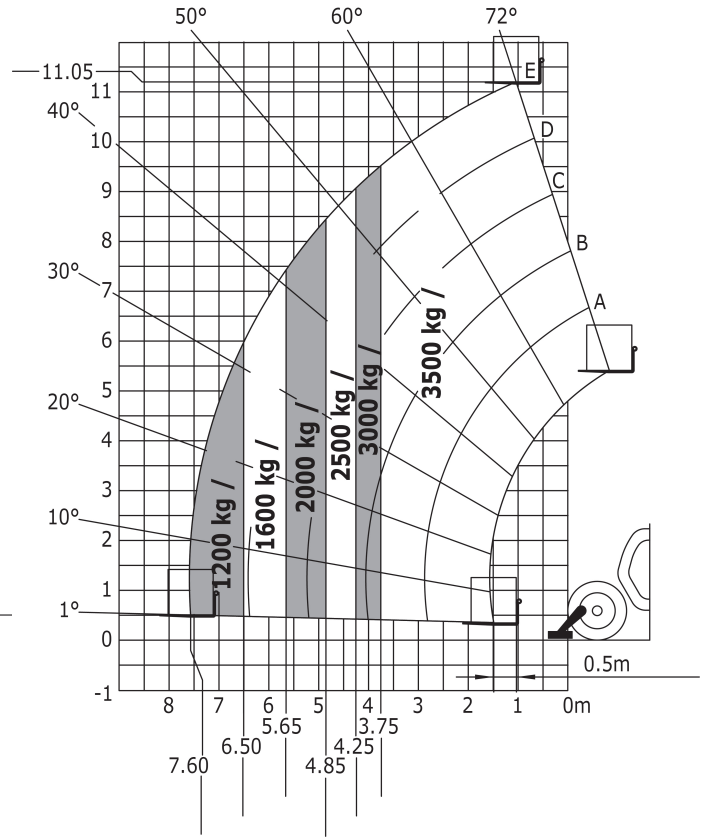
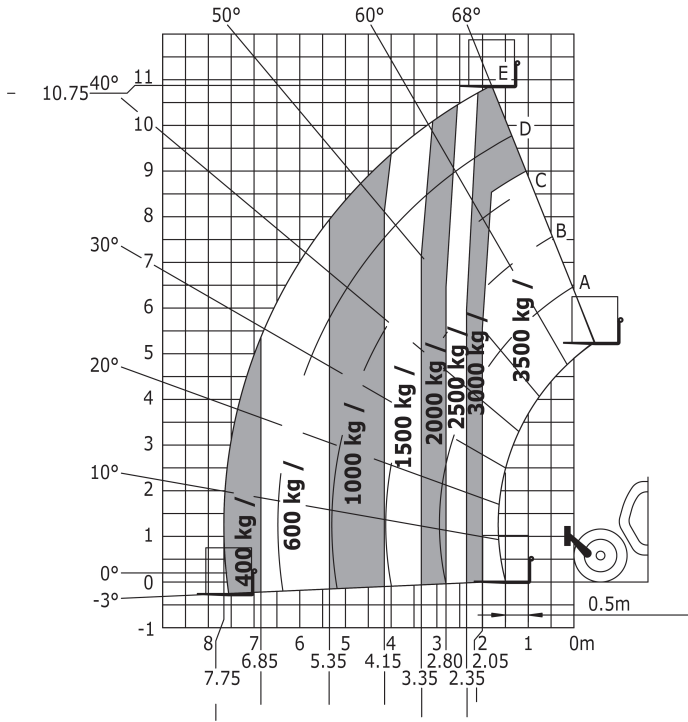


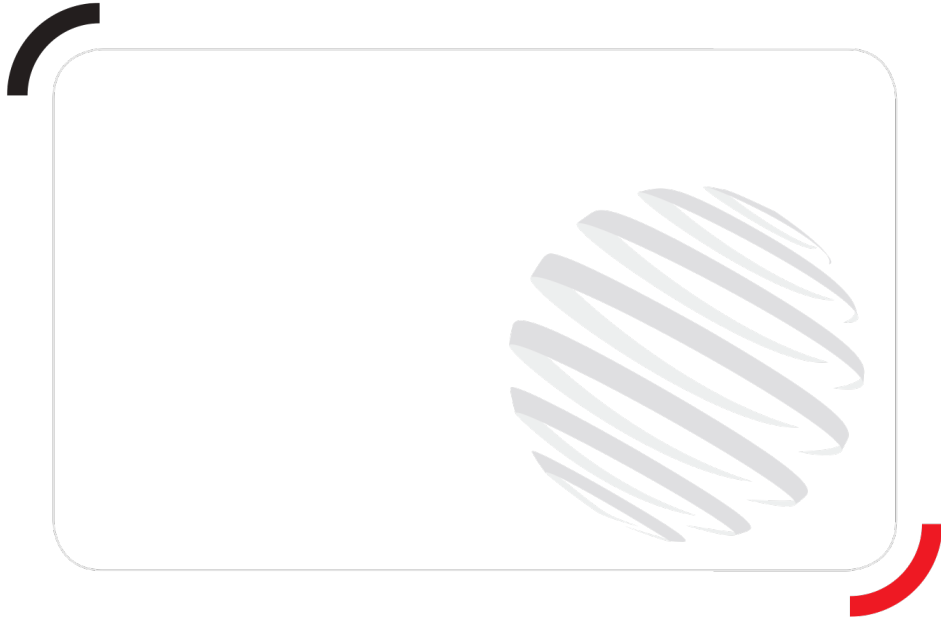
Capacities	Metric	Imperial
Max. capacity	3500 kg	7700 lbs
Max. lift height	11.05 m	36 ft 24 in
Max. reach	7.75 m	25 ft
Bucket breakout force	6400 daN	14387.77 lbf
Weight and dimensions		
l2 - Overall length of fork carriage	5.37 m	17 ft 61 in
b1 - Overall width	2.28 m	7 ft 48 in
h17 - Overall height	2.42 m	7 ft 94 in
m4 - Ground clearance	0.42 m	1 ft
b4 - Overall cab width	0.88 m	2 ft
Wa1 - Frame outer turning radius	3.65 m	11 ft
Unladen weight (with forks)	8800 kg	19400 lbs
Standard tyres	Pneumatic	Pneumatic
Standard forks	1200x125x45	3,93x0.41x0.14
Performances		
Lifting	8.50 s	8.50 s
Lowering	7 s	7 s
Telescope extension	13 s	13 s
Retracting the telescope	9 s	9 s
Scoop	4 s	4 s
Dump	4 s	4 s
Engine		
Brand	Deutz	Deutz
Environmental standards	3B / Tier IV Final	3B / Tier IV Final
Model	854E-34TA	854E-34TA
Number of cylinders - Capacity	- - 3621 cm ³	- - 118.79 in ³
Power	75 hp / 55.40 kW	75 hp / 55.40 kW
Max. torque	330 Nm at -	243.39 ft.lbs at -
Laden drawbar pull	8000 daN	17984.71 lbf
Transmission		
Type	Torque Converter	Torque Converter
Number of gears (forward/reverse)	4/4	4/4
Max. speed of travel (may vary according to the applicable regulation)	25 km/h	15.50 mph
Parking brake	Automatic negative parking brake	Automatic negative parking brake
Service brake	Oil-Immersed Multi-Discs on Front & Rear Axles	Oil-Immersed Multi-Discs on Front & Rear Axles
Hydraulics		
Type of pump	Gear pump	Gear pump
Hydraulic flow rate - Pressure	125 l/min - 270 bar	33.02 gpm - 3916 psi
Tank capacities		
Engine oil	125 l	33.81 US gal.
Hydraulic oil	125 l	33.02 US gal.
Fuel	120 l	31.70 US gal.
Noise & vibration		
Noise at driving position (LpA)	78 dB(A)	78 dB(A)
Noise to environment (LwA)	103 dB(A)	103 dB(A)
Vibration on hands/arms	<2.5 m/s ²	<6.56 ft/s ²
Miscellaneous		
Steering wheels / Driving wheels	- / 4	- / 4
Safety	Standard EN 15000 Cab ROPS - FOPS Level 2	Standard EN 15000 Cab ROPS - FOPS Level 2
Controls	JSM	JSM

Dimensional drawing



Load chart





Siège Social
430 rue de l'Aubinière - 44150 Ancenis Cedex - France
Tel: +33(0)2 40 09 10 11 - Fax: +33 (0)2 40 09 10 97
www.manitou.com



This brochure describes versions and configuration options for Manitou products which may be fitted with different equipment. The equipment described in this brochure may be standard, optional or not available depending on version. Manitou reserves the right to change the specifications shown and described at any time and without prior warning. The manufacturer is not liable for the specifications given. For more information, contact your Manitou dealer. Non-contractual document. Product descriptions may differ from actual products. List of specifications is not comprehensive. The logos and visual identity of the company are the property of Manitou and may not be used without authorisation. All rights reserved. The photos and diagrams contained in this brochure are provided for information only.

MANITOU BF SA - Limited company with board of directors - Share capital: 39,547,824 euros - 857 802 508 RCS Nantes